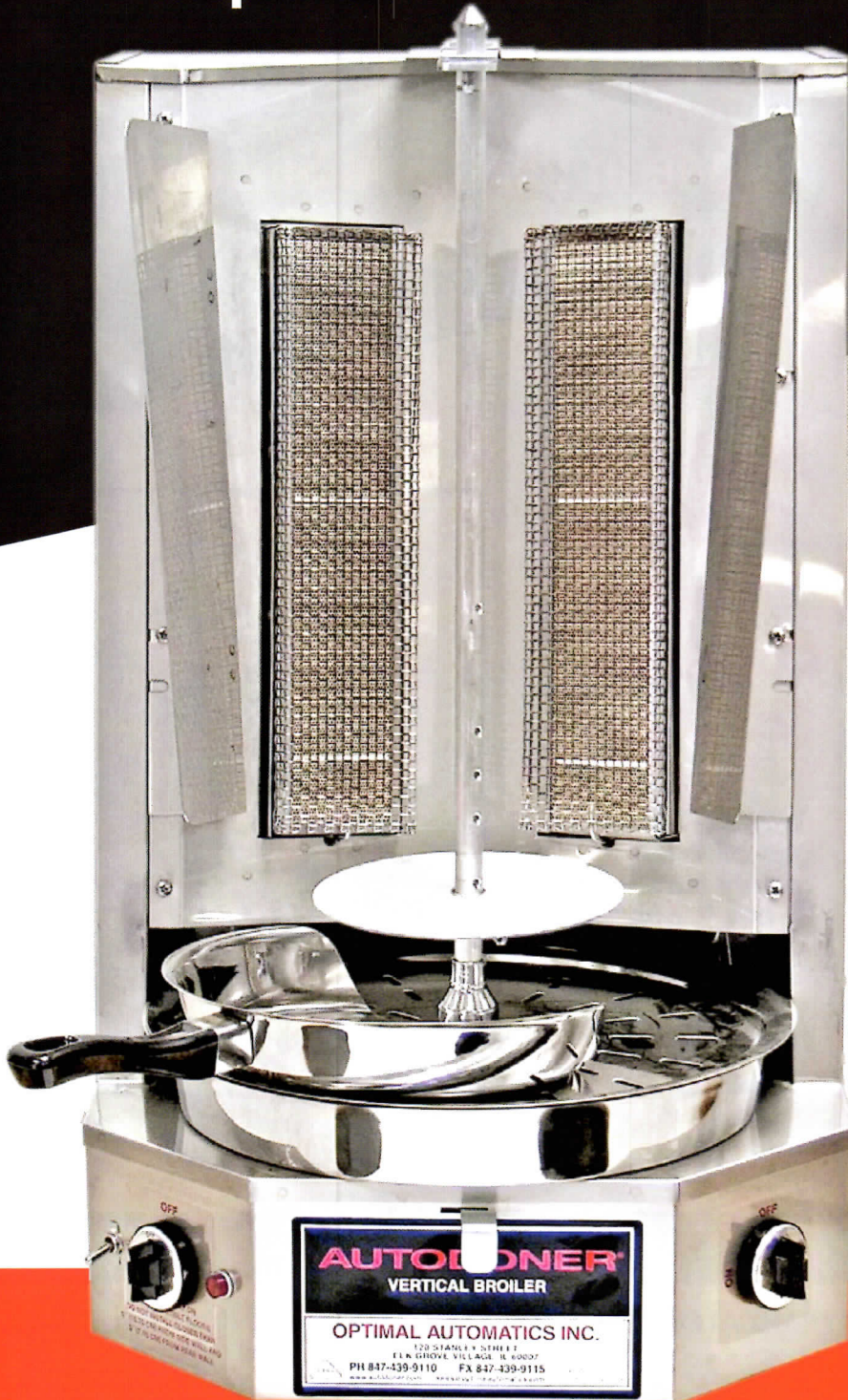


AUTODONER[®]

The Original Automatic Vertical Broiler



**Meat
Capacity
25 Lbs.**

**Finally a gas machine
designed for the
operator using small
to medium cones,
with all the features
of the large machine!**

**2 burner controls
improve temperature
control and savings.**

MODEL# G-200

Medium capacity and your choice
of clean burning natural or LP gas.

24,000 BTU'S

OPTIMAL
AUTOMATICS, CO.

For more information or to order, call 847-439-9110

www.optimalautomatics.com

email: sales@optimalautomatics.com





AUTODONER[®]

The Original Automatic Vertical Broiler

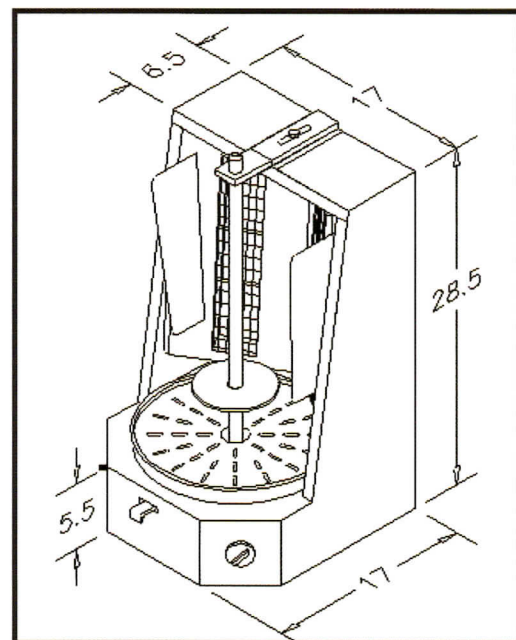
ENGINEERED FOR PERFORMANCE

Made in the U.S.A. Since 1972



**Model #
G-200
Meat
Capacity
25 Lbs.**

GAS
1/2" NPT rear
gas connection,
specify Natural
or L.P. gas
PRESSURE
6.1" W.C.
Natural gas
9.6" W.C.
L.P. gas



HEIGHT	WIDTH	DEPTH	ELECTRICAL	TOTAL B.T.U.	SHIP WEIGHT
28.5"	17"	17"	120V / 60Hz / 1AMP	24,000 BTU/Hr	70 lbs.

OPTIMAL
AUTOMATICS, CO.

For more information or to order, call 847-439 9110 www.optimalautomatics.com / e-mail: sales@optimalautomatics.com